

AegisGuard™
XP Radiation Shield
Custom Length Applications

Thank you for purchasing this AegisGuard™ XP Radiation Shield.

IMPORTANT: Excluding extendable antenna masts, your product must be smaller than this Shield. If your product will not be mounted to the Shield using VELCRO or another method, the length must be sufficient to allow for product movement under normal use.

INSTALLATION

The Shield should not be trimmed for applications where it is used as a placemat on a table or lap, such as for portable computers or radar guns.

Cutting Shield To Size Or Shape

1. Trace your product on paper, adding at least 1/4 inch (7 mm) to all sides. Round corners to prevent fraying.
2. Cut out tracing with scissors and center on the bottom of the front of the Shield over the black AegisGuard™ Label. Tape it to parts of the Shield that will be discarded to hold in place and carefully cut around tracing. (**Figure 1**).

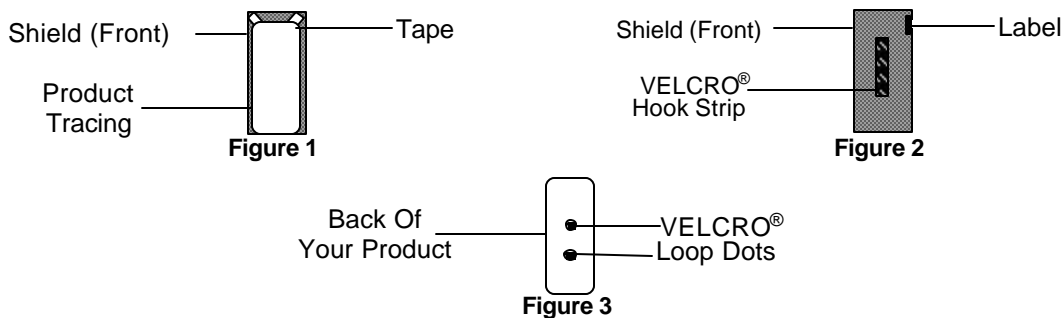
Adhesive Installation

For permanent applications, cyanoacrylate, acrylic, epoxy, water based and other non-corrosive adhesives can be used for mounting the back of the Shield on various surfaces, or to permanently install a product on the front of the Shield. Once mounted, the front side of the Shield with the black AegisGuard™ label can wallpapered, or painted using a water based paint, such as latex.

Optional VELCRO® Fastener Installation

Do not touch the adhesive on VELCRO® fasteners.

1. Position one or more VELCRO Hook Strips on the front side of the Shield with the black AegisGuard™ label so that your product will be securely attached when the Loop Dots are installed on the product. Remove backing and press down lightly. (**Figure 2**).
2. Remove the backing from a VELCRO Loop Dot and place it on the back of your product in a position that will attach securely to the VELCRO® Hook Strip when the product is placed on the Shield. Repeat as necessary. (**Figure 3**).
3. Allow adhesive to set 24 hours. Place your product on the front of the Shield and press lightly. To remove, hold the Shield down on a flat surface with your hand under the edge of your product and use your other hand to carefully lift the product away from the Shield.



Cleaning Instructions

Gently wipe the front of the Shield with a damp sponge and allow to air dry. Do not attempt to clean or wipe the back of the Shield.

For Your Safety

- Excluding extendable antenna masts, your product must be smaller than this Shield.
- This Shield must be positioned between your product and your body. Never use your product if it is between the Shield and your body.
- Do not use this Shield if it is cut, torn or frayed.
- The corners of this Shield have been rounded to prevent fraying. The corners or edges can be trimmed with scissors if they become worn or frayed.
- Do not use this product if it is wet.
- Do not use this product with radiation shielding products manufactured by companies other than Aegis Corporation.

Ask your Aegis dealer about other AegisGuard™ Radiation Shield models if you use a headset or hold a wireless phone against your ear.

Aegis Corporation Limited Warranty

For one (1) year from the date of purchase by the consumer Aegis Corporation (AEGIS) will repair (or at its option, replace) this product free of charge if defective in material or workmanship. This warranty excludes damage caused by abuse, accident, improper installation, misuse, neglect, or normal wear and tear.

This product must be delivered, or shipped freight prepaid, to the AEGIS location listed below with a copy of proof of purchase in the form of a sales slip or invoice. In the event this product proves to be defective, your sole remedy is the remedy as stated in this warranty, and under no circumstances shall AEGIS be liable for any loss or damage, direct, incidental or consequential arising out of the use, or inability to use, this product caused by any defect whatsoever in this product.

This warranty gives you specific legal rights, and you may have other rights which vary from place to place.

AEGIS CORPORATION
614 Dartmouth Terrace Court
Customer Service # 303
Wildwood, MO 63011-5443 USA
Tel: (636) 273-1011 Fax: (636) 273-1015

www.goaegis.com